

2-Way Spinneret

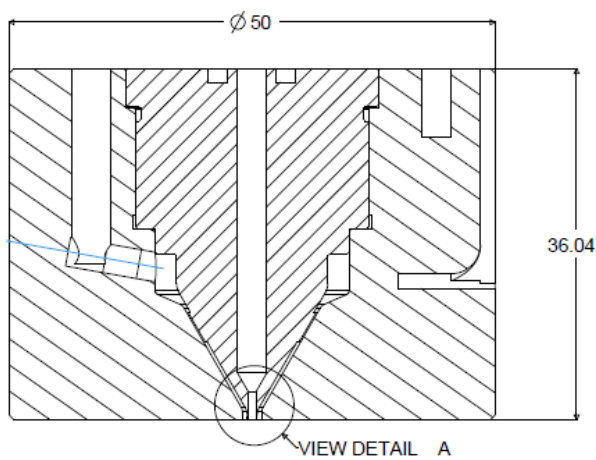
Device used to extrude liquid polymers into Hollow fibers



Catalog Info:

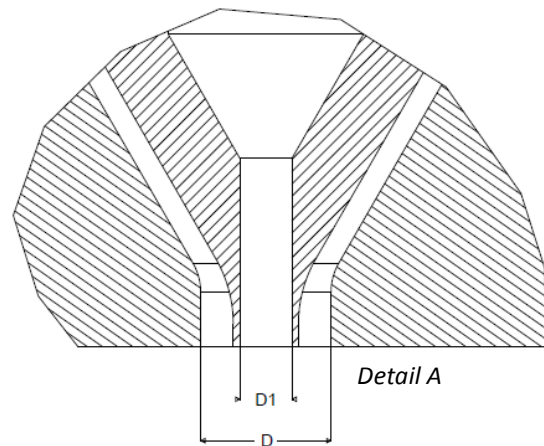
2W-S-V_(x)

Description:



Draw Units: [mm]

Technical Specification:



2-Way Spinneret

Material: Stainless Steel AISI-316

Available in the Following dimension:

	2W-S-V1	2W-S-V2	2W-S-V3
D1	0.6	0.3	0.8
D	1.6	1.6	2.0

Comes complete with:

- n.1 Kit – 2 Pcs
- Swagelock ¼" adapter

Accessories and Notes:

The following product could be designed according to the client requirements.