

3-Way Spinneret

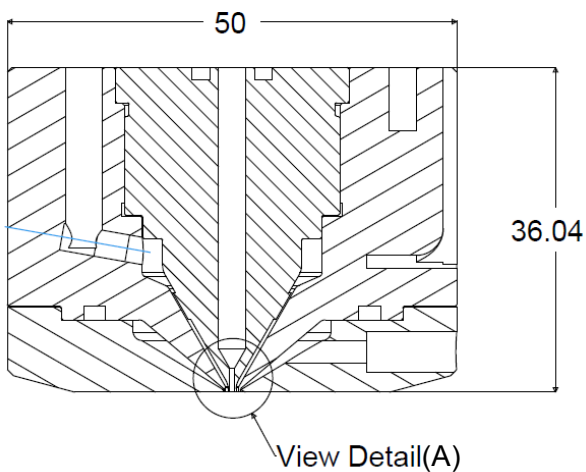
Device used to extrude liquid polymers into Hollow fibers



Catalog Info:

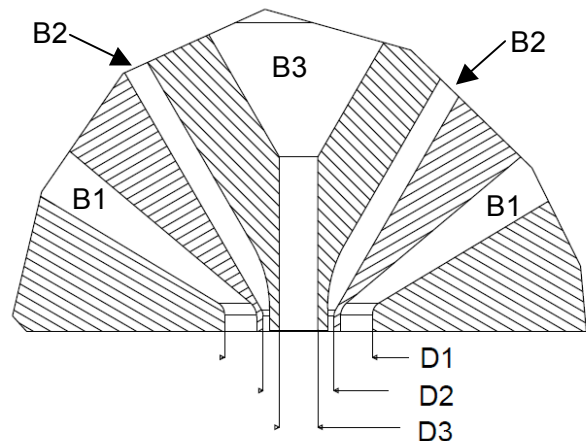
3W-S-V2

Description:



Draw Units: [mm]

Technical Specification [detail (A)]:



Diameter:	Bore transversal thickness:
D1: 2.5mm	B1: 0.5mm
D2: 1.1mm	B2: 0.1mm
D3: 0.5mm	B3: 0.5mm

Material: Stainless Steel **AISI-316**

Comes complete with:

- n.1 Kit – 3 Pcs
- Swagelock ¼" adapter

Accessories and Notes:

The following product could be designed according to the client requirements.