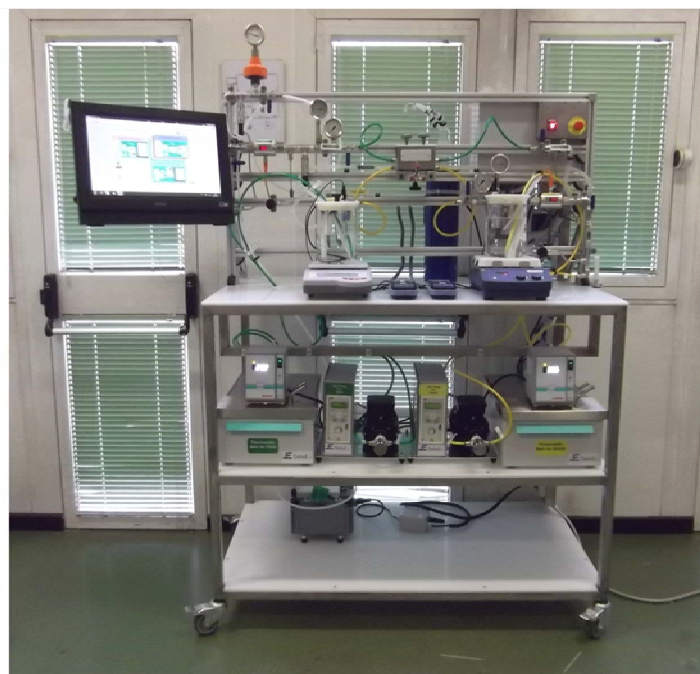


Experimental setup for flat and hollow membrane testing



Catalog Info:

ES-FHMT

Description:

The “**Experimental Setup for Flat and Hollow membrane testing**” has characteristics of stability and reliability that make it suitable for use in research. This unit is designed for general purpose applications requiring a robust, secure and low-cost system.

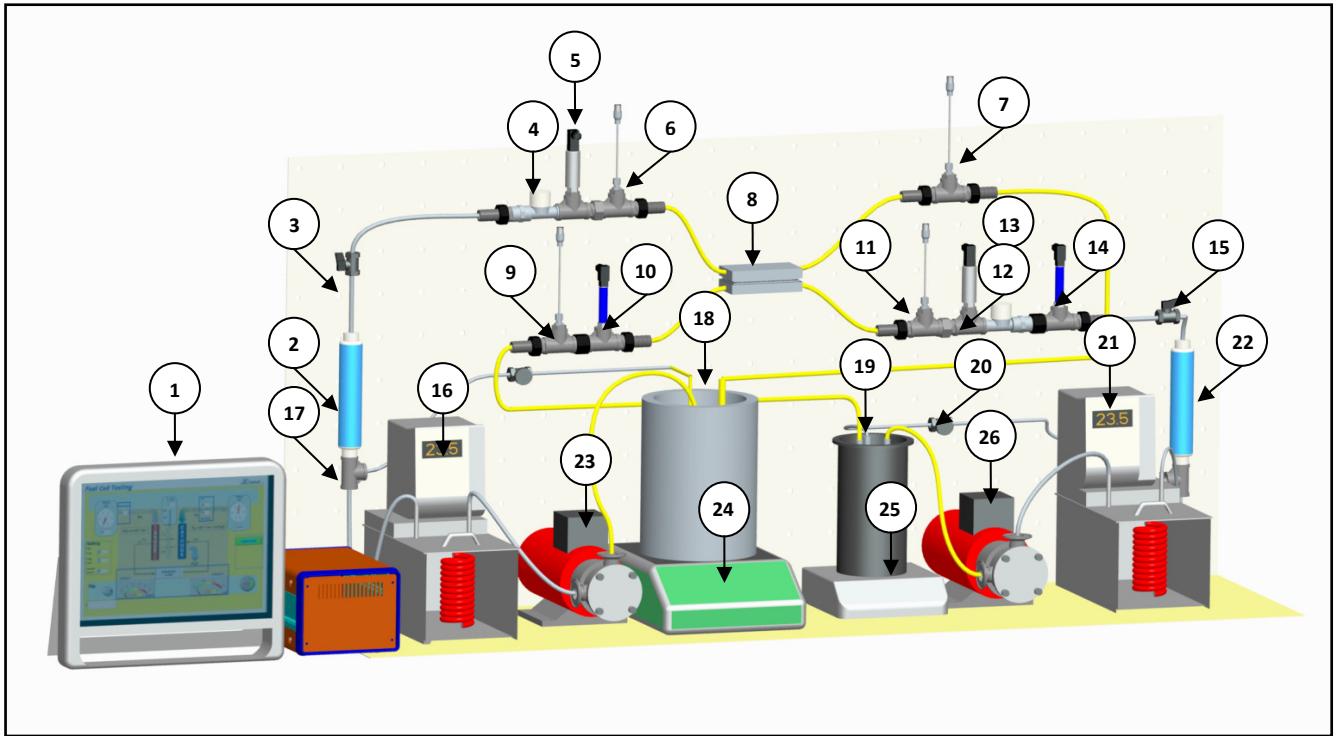
- The simplicity in managing the temperature of the thermostat is permitted by the use of a temperature control system of proportional, integral and differential (PID).
- The simplicity in managing the values of liquid flow, temperature and pressure.

Technical Specification:

- n.1 Metallic Stainless Steel/Aluminium adjustable Frame
- n.1 PTFE/Stainless Steel Tube and Fast Lock connection kit
- n.1 Acquisition System with Touch Screen Computer
- n.1 Dedicated management software
- n.2 Liquid Flow Indicator up to 20L/min
- n.2 Electronic Flowmeter Gauge from 0,1 25L/min
- n.2 Stainless Steel Electronic Pressure Gauge e.s. 6 bar
- n.1 Stainless Steel Electronic Vacuum Gauge e.s. -1 to 9 bar
- n.4 Stainless Steel Temperature Gauge Type PT100 class B
- n.2 Conductivity probe
- n.2 Thermostatic Water bath
- n.1 Electronic Balance
- n.1 Magnetic Agitator/Stirrer Type Argo Lab M3-D or similar
- n.2 Gear Pump stainless steel head
- n.1 Low Vacuum pump

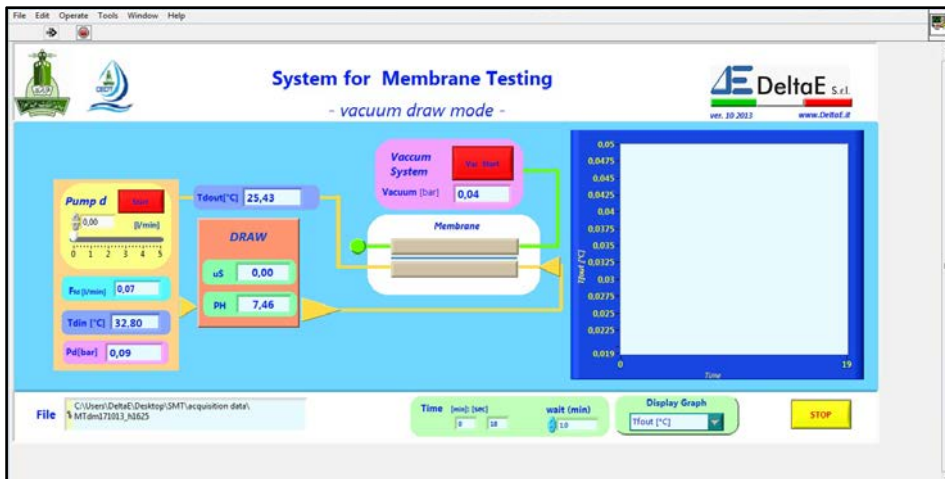
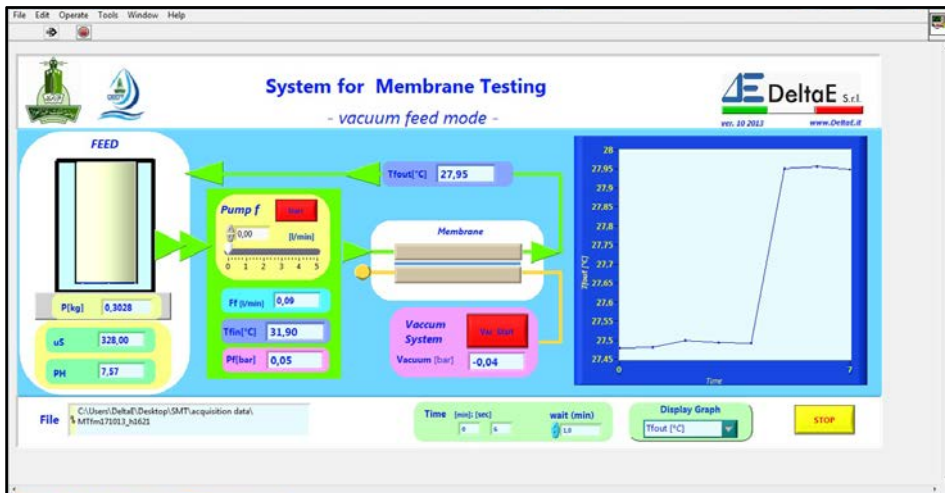
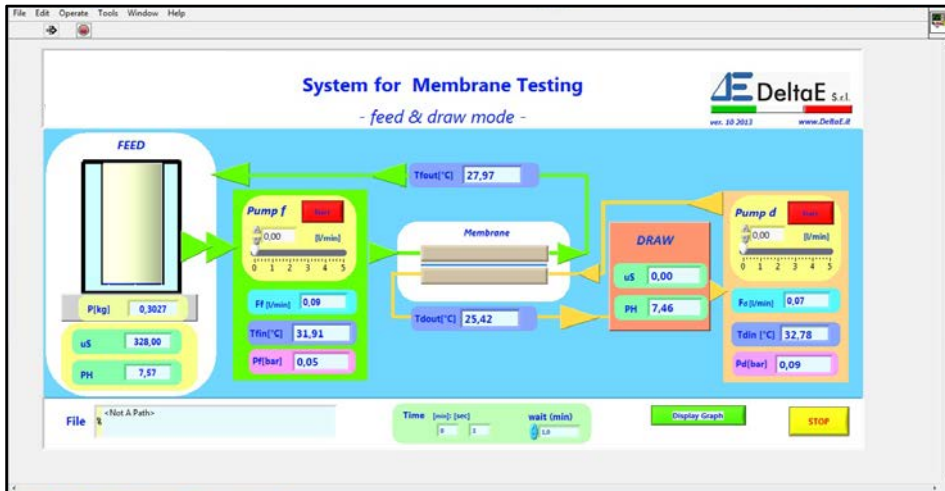
Working Pressure: up to 6bar

Schematic view:

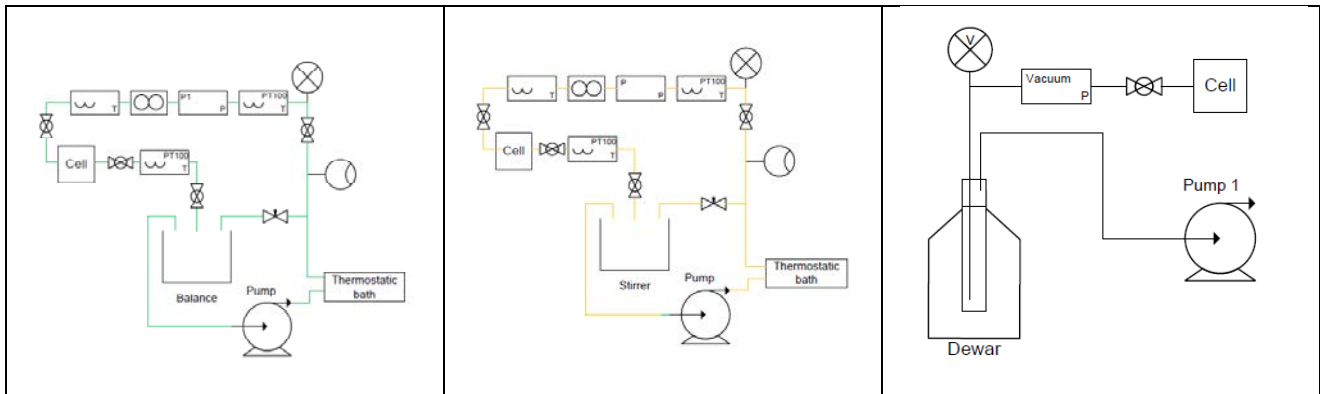


Item	Description System Configuration
1	Acquisition System with Touch Screen Computer
2	Inlet Liquid Flow Indicator for Feed
3	Inlet Stainless Steel ON/OFF Needle Valve for Feed
4	Inlet Electronic Flow meter Gauge for Feed
5	Inlet Electronic Pressure Gauge for Feed
6	Inlet Temperature Gauge for Feed
7	Outlet Temperature Gauge for Feed
8	Flat Membrane module Cell or Hollow Membrane module Cell
9	Outlet Temperature Gauge for Draw
10	Outlet Conductivity probe for Draw
11	Inlet Temperature Gauge for Draw
12	Inlet Electronic Pressure Gauge for Draw
13	Inlet Electronic Flow meter Gauge for Draw
14	Inlet Conductivity probe for Draw
15	Inlet Stainless Steel ON/OFF Needle Valve for Draw
16	Thermostatic bath for Feed
17	Inlet bypass flow pipe with Needle Valve for Feed
18	Tank for Feed
19	Tank for Draw
20	Inlet bypass flow pipe with Needle Valve for Draw
21	Thermostatic bath for Draw
22	Inlet Liquid Flow Indicator for Draw
23	Gear or Peristaltic Pump for Feed
24	Digital Precision Balance for Feed
25	Agitator/Stirrer for Draw
26	Gear or Peristaltic Pump for Draw

Control Software Screenshot:



Hydraulic Scheme:



Comes complete with:

- n.1 Two Liters Stainless steel Tank for Feed solution liquid
- n.1 Two Liters insulated Tank (Dewar) for Draw solution liquid
- n.1 Two Liters Stainless steel Tank for Draw solution liquid
- n.2 Experimental Nylon Flat Cell mod.40/100 for polymeric membranes
- n.2 Hollow membrane module

Accessories and Notes:

The following product could be designed according to the client requirements